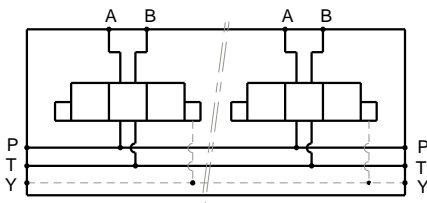


Stations	X	Y	(kg)
1	140	116	23
2	265	241	43



Technical specifications

Material : Cast iron EN-GJL-250 _ Phosphatation
 Pressure : 250 bar maxi
 Options : P and/or T not drilled
 zinc plating
 pilot line (X) 1/2" BSP

Designation code :

MR - 8 - * - 1" G

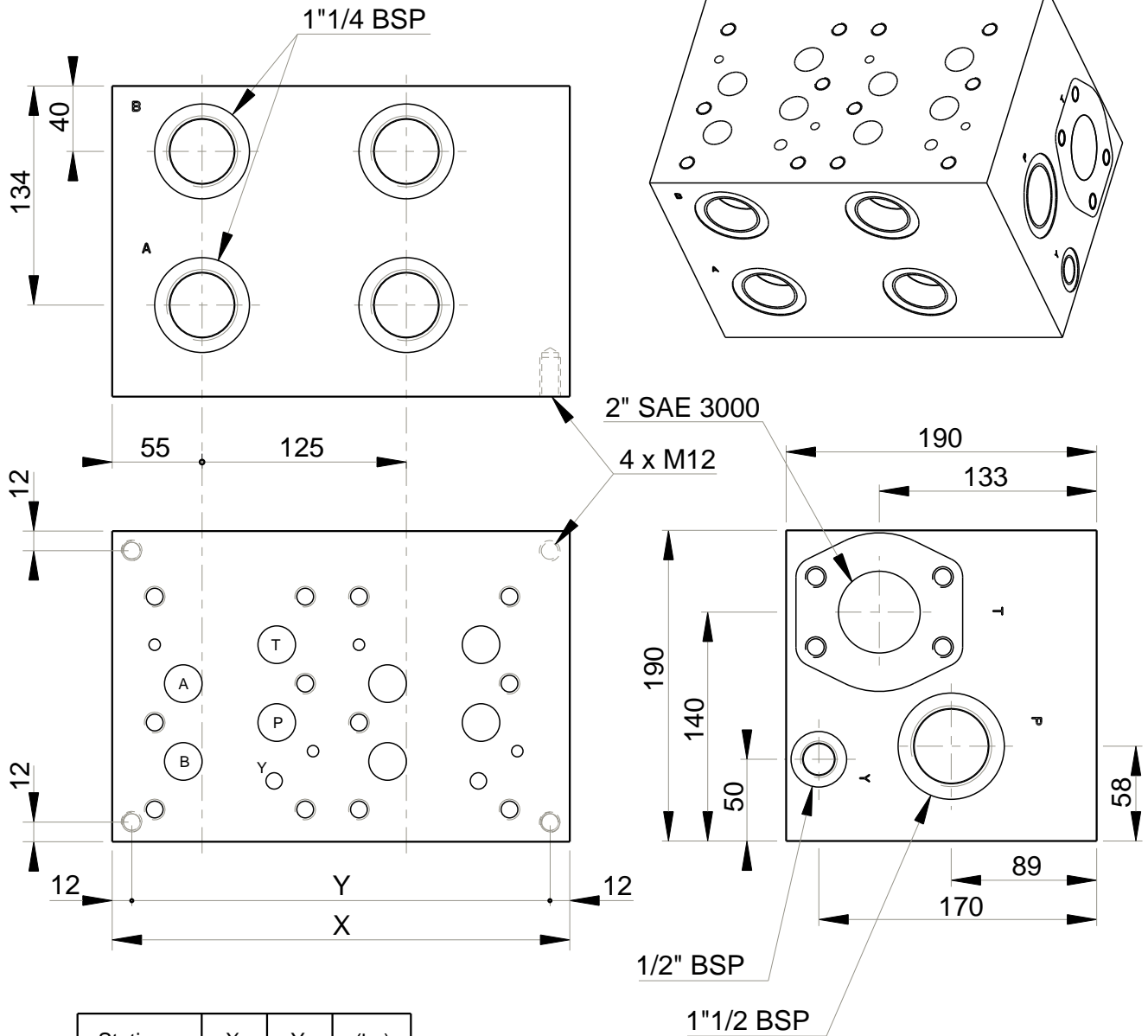
MECABOR

CETOP 8
Side entry

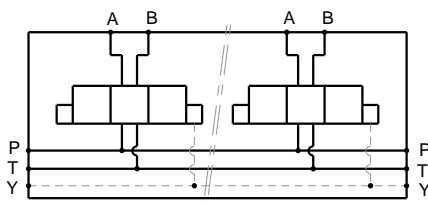
Station number

G : ports BSP

Ports



Stations	X	Y	(kg)
1	155	131	34
2	280	256	86



Technical specifications

Material : Cast iron EN-GJL-250 _ Phosphatation
 Pressure : 250 bar maxi
 Options : P and/or T not drilled through
 zinc plating
 pilot line (X) 1/2" BSP

Designation code :

MR - 8 - * - 1"1/4 G

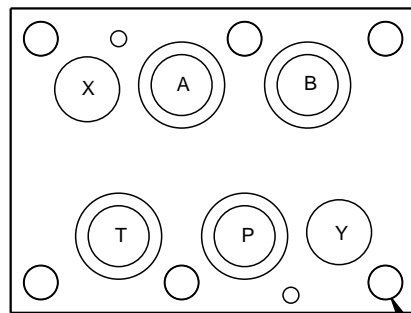
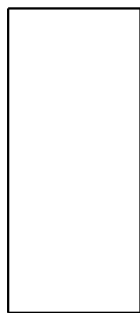
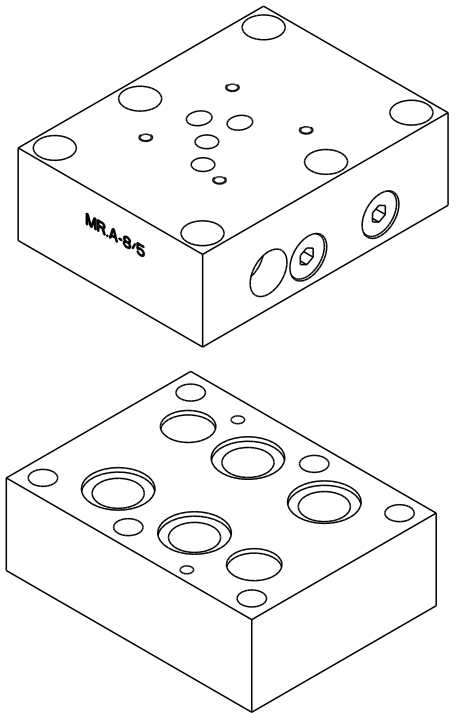
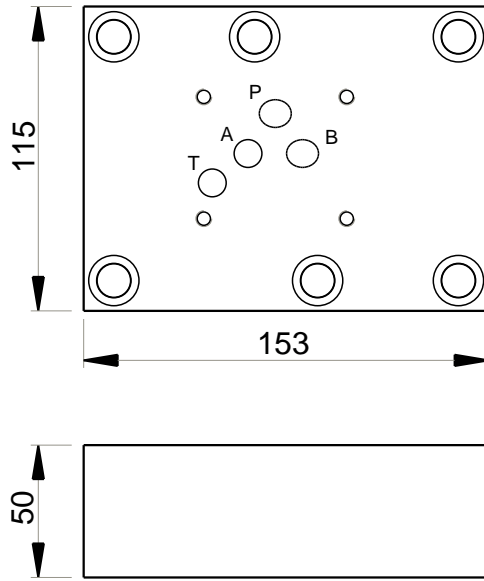
MECABOR

CETOP 8
Side entry

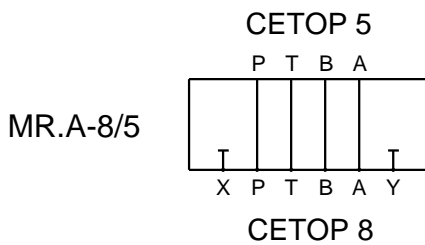
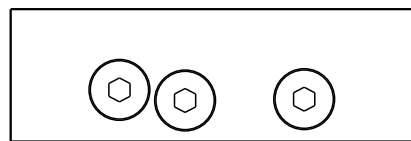
Station number

G : ports BSP

Ports



6 x Ø13



Technical specifications

Material	: Steel 1.1167 _ Phosphatation
Pressure	: 300 bar maxi
Weight	: 5.70 kg
Supplied with seals and screws	

Designation code :

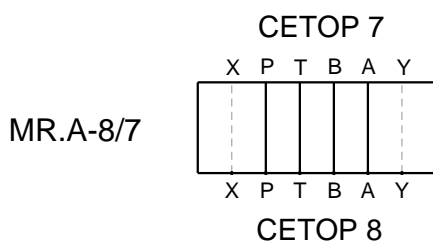
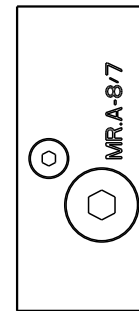
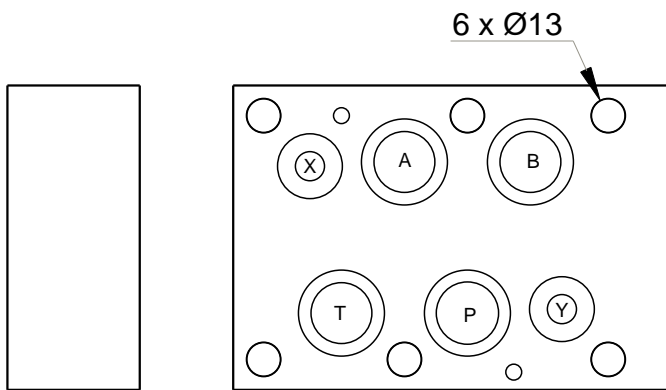
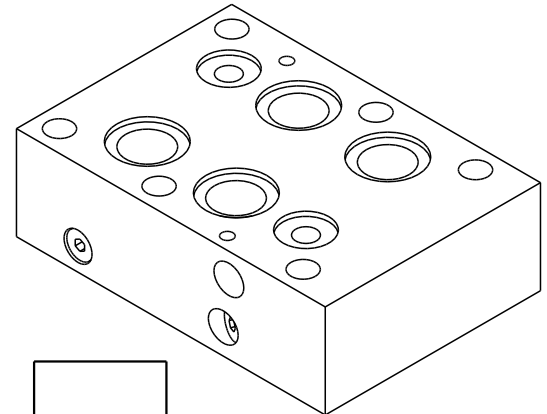
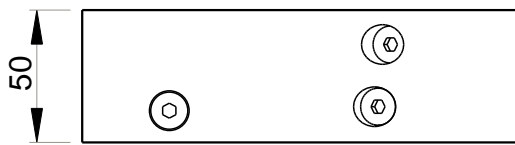
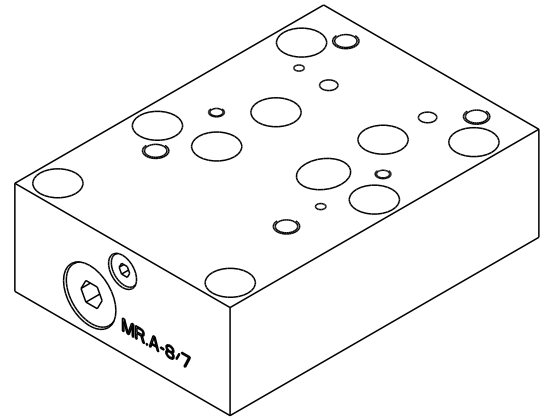
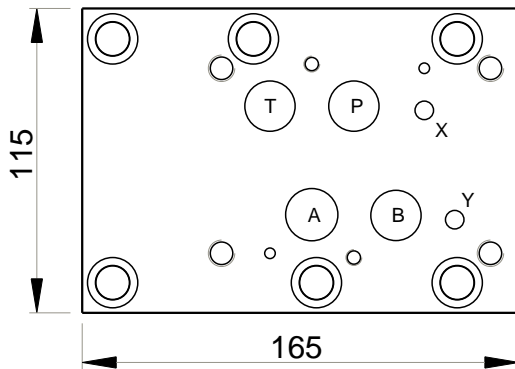
MR . A - 8 / 5

MECABOR

Adaptator plate

CETOP 8

CETOP 5



Technical specifications

Material	: Steel 1.1167 _ Phosphatation
Pressure	: 300 bar maxi
Weight	: 6.30 kg
Supplied with seals and screws	

Designation code :

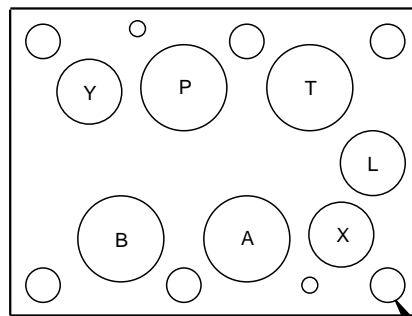
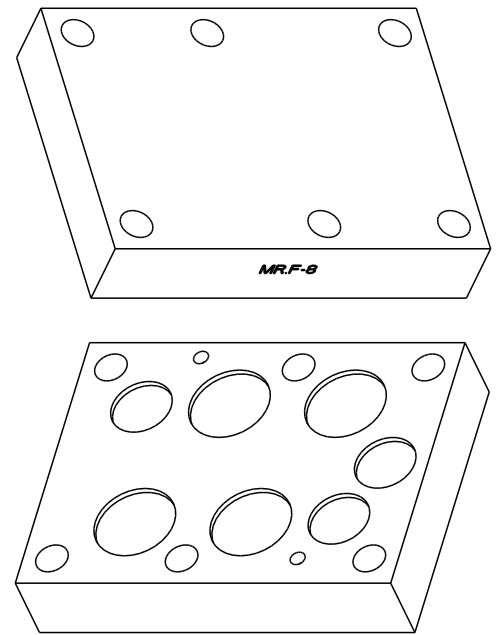
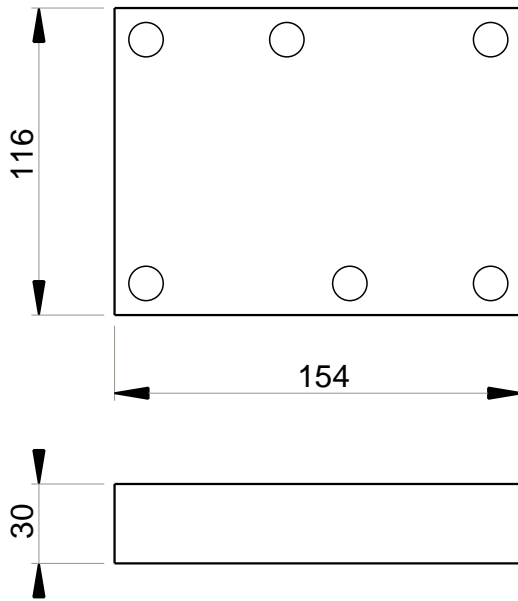
MR . A - 8 / 7

MECABOR

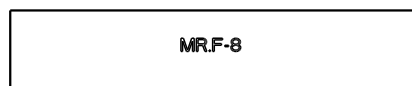
Adaptor plate

CETOP 8

CETOP 7



6 x Ø13



MR.F-8



Technical specifications

Material : Steel 1.1167 _ Phosphatation
 Pressure : 300 bar maxi
 Weight : 4.30 kg
 Supplied with seals and screws

Designation code :

MR . F - 8

MECABOR

Blanking plate

CETOP 8