

KRACHT



**Volumec - VC 0,2
Valve Control Module**

Description and Indicator Variants

Description

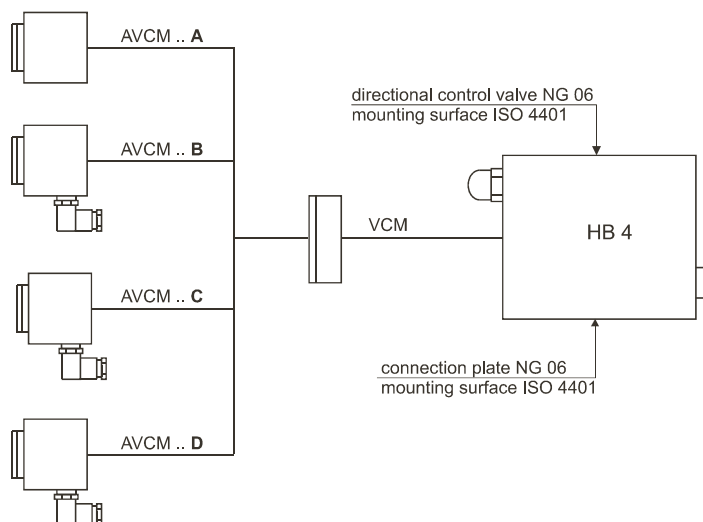
The control module is a combination unit with mounting surface for directional control valves NG 06 according to ISO 4401 - 03-02-0-02 / DIN 24340-A6.

In detail the module consists of a hydraulic manifold, a gear type flow meter and an indicator.

Mounted on a connection plate and completed by a directional control valve the Volumec controlling module enables the control of a hydraulic operating ship valve for Ballast -,Cargo -and Stripping systems of all kind of tankers. In addition to that the position of the valve will be measured and displayed.

The control module is suitable for installation in deck boxes. The position of the valve being controlled can be seen locally at the Volumec indicator, or remotely from open / shut switches or potentiometer signals from within the unit.

Indicator Variants

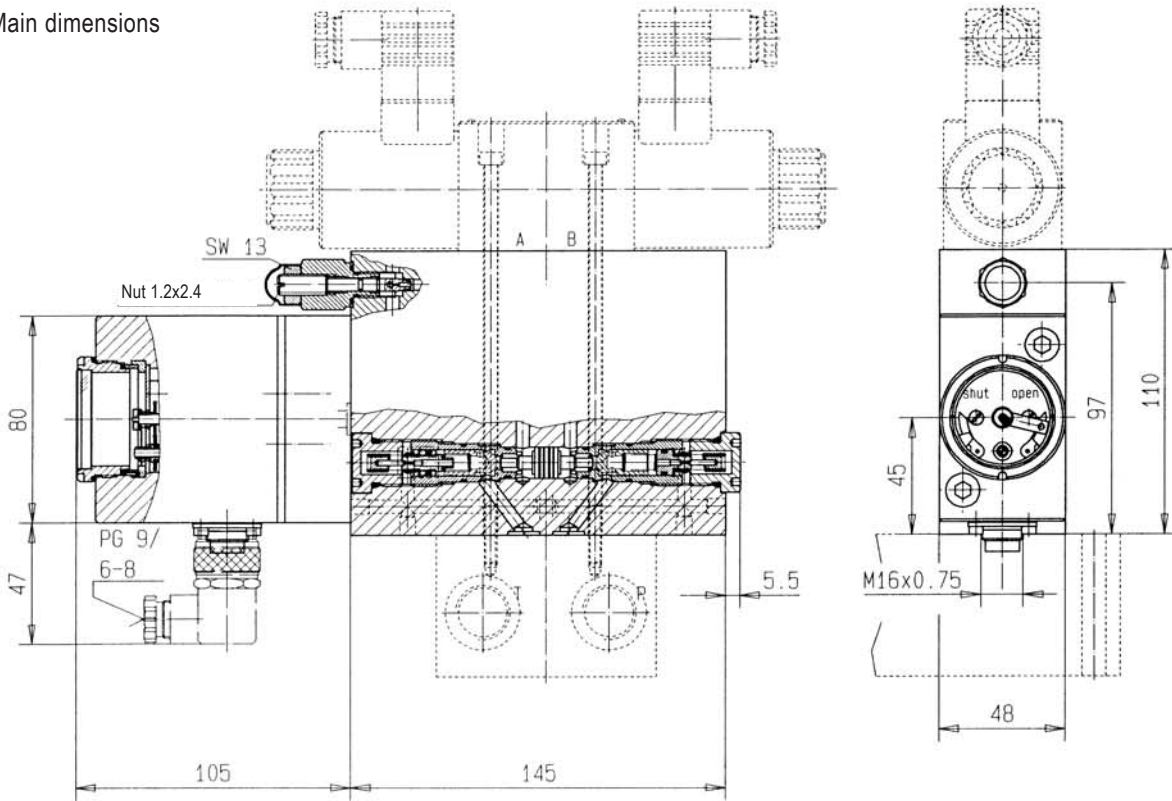


Indicator - Volumec

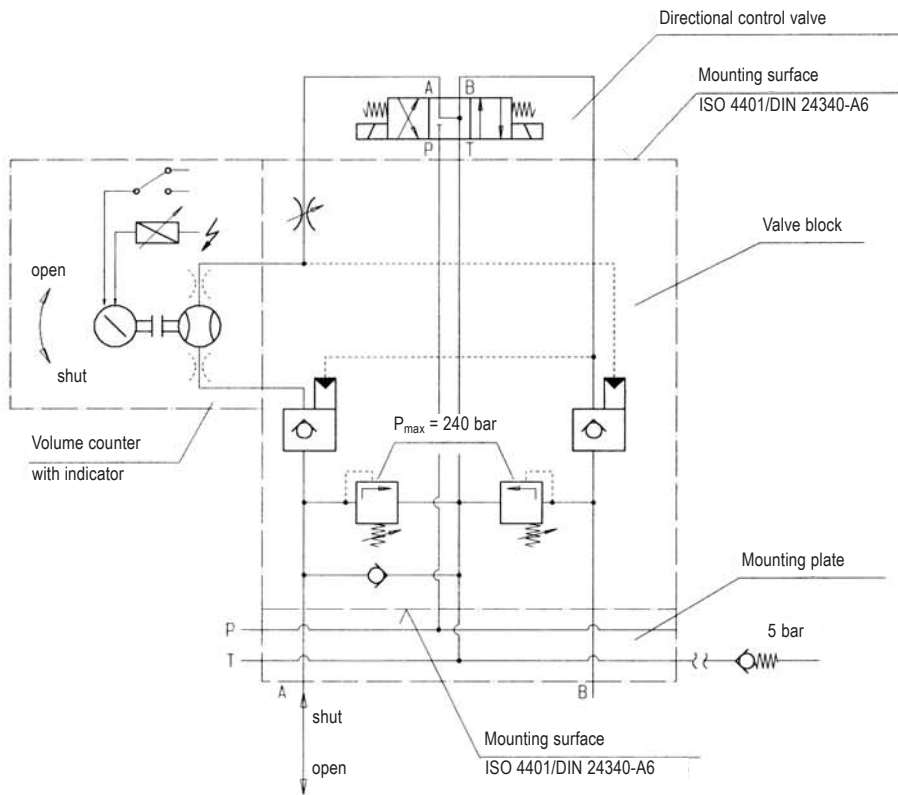
AVCM .. A	Visual indicator
AVCM .. B	Open / shut switches
AVCM .. C	Potentiometer
AVCM .. D	Open / shut switches and potentiometer

Volumec Control Module VC 0,2

Main dimensions



Scheme



Volumec - Volume Counter VC 0,2

Function

The volume counter can be used with all known hydraulic fluids, which have a minimum lubricity and are not aggressive concerning the used materials (housing-cast iron, steel gears and bearings, NBR- or FPM seals)

The movement of the gears is transferred to the indicator by a permanent-magnetic coupling and is shown directly by an indicator sign. There is no connection between the indicator and the hydraulic circuit.

The housing of the Volumec consists of seawater-proof aluminium, the screws are of A2 material.

Application

The Volumec is designed to indicate the position of hydraulic remote controlled actuators within Ballast-, Cargo- and Stripping systems of all kinds of tankers.

In addition to that the measuring of oilvolume, which is taken or pushed out by an actuator when moving a valve.

The volumec is designed for assembling in deck boxes.

General Data

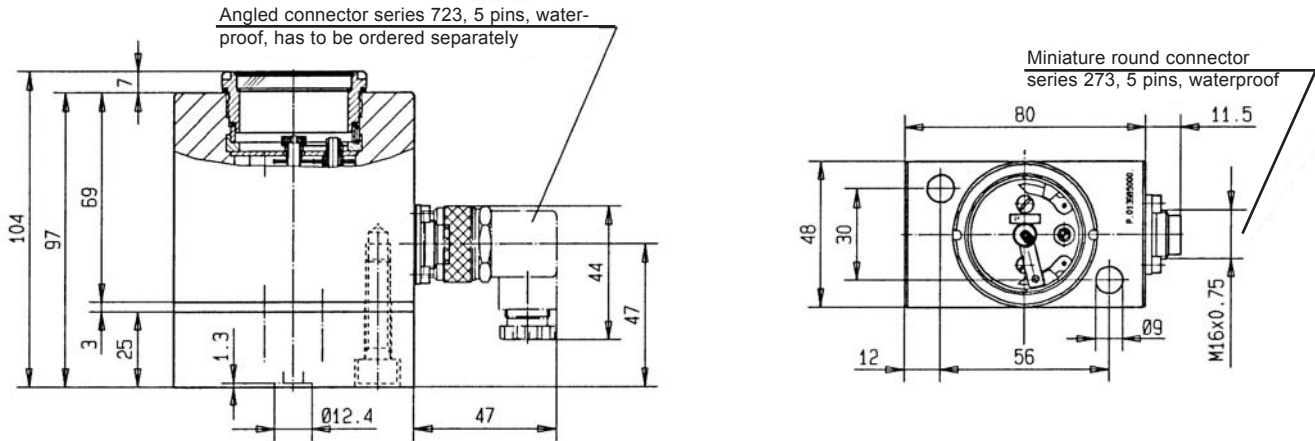
Design: Gear motor
 Connection: Flange
 Weight: 1,6 kg
 Mounting position: optional
 Dimensions: see figures

Hydraulic Data

Geom. tooth volume: $V_{gz} = 0,25 \text{ cm}^3$
 Max. oper. pressure: $p_{e \text{ max}} = 160 \text{ bar}$ (Peak pressure 200 bar, for example start-up position)
 Max. flow rate $Q = 4 \text{ l/min}$
 Fluid temperature: $\vartheta_{m \text{ min}} = -10^\circ \text{ C}$
 $\vartheta_{m \text{ max}} = +80^\circ \text{ C}$
 Viscosity: $\nu_{\text{min}} = 20 \text{ mm}^2/\text{s}$
 $\nu_{\text{max}} = 600 \text{ mm}^2/\text{s}$
 (higher viscosities on request)

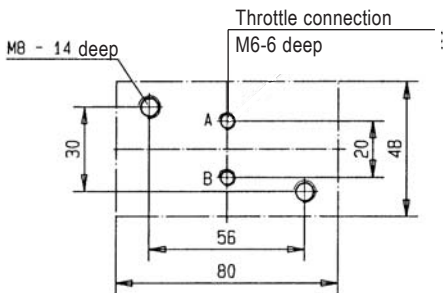
Volumec - Volume Counter VC 0,2

Dimensions

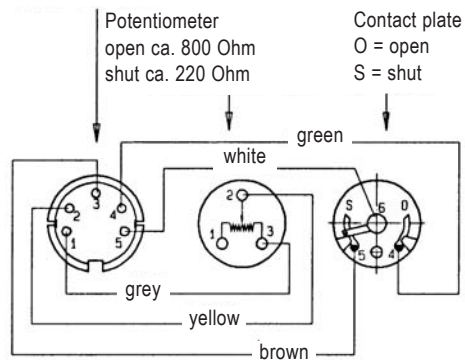


Mounting surface

Electrical Installation



Miniature round connector series 273
Contact arrangement, view to the solder contacts



Overview of our complete programme!

Transfer pumps

Transfer pumps for lubricating oil supply equipment, low pressure filling and feed systems, dosing and mixing systems, including PUR.

Volutronic®

Gear flow meters and electronics for volume and flow metering technology in hydraulics, processing and laquering technology.

Mobile hydraulics

Single and multistage high pressure gear pumps, hydraulic motors and valves for construction machinery, vehicle-mounted machines.

Industrial hydraulics

Cetop directional control and proportional valves, hydraulic cylinders, pressure, quantity and stop valves for pipe and slab construction, hydraulic accessories for industrial hydraulics (mobile and stationary use).

With our decades of experience, we are at your side, world-wide, for the professional mastery of specific applications and complete solutions in hydraulics and process technology.



Volume c.e.8.2003