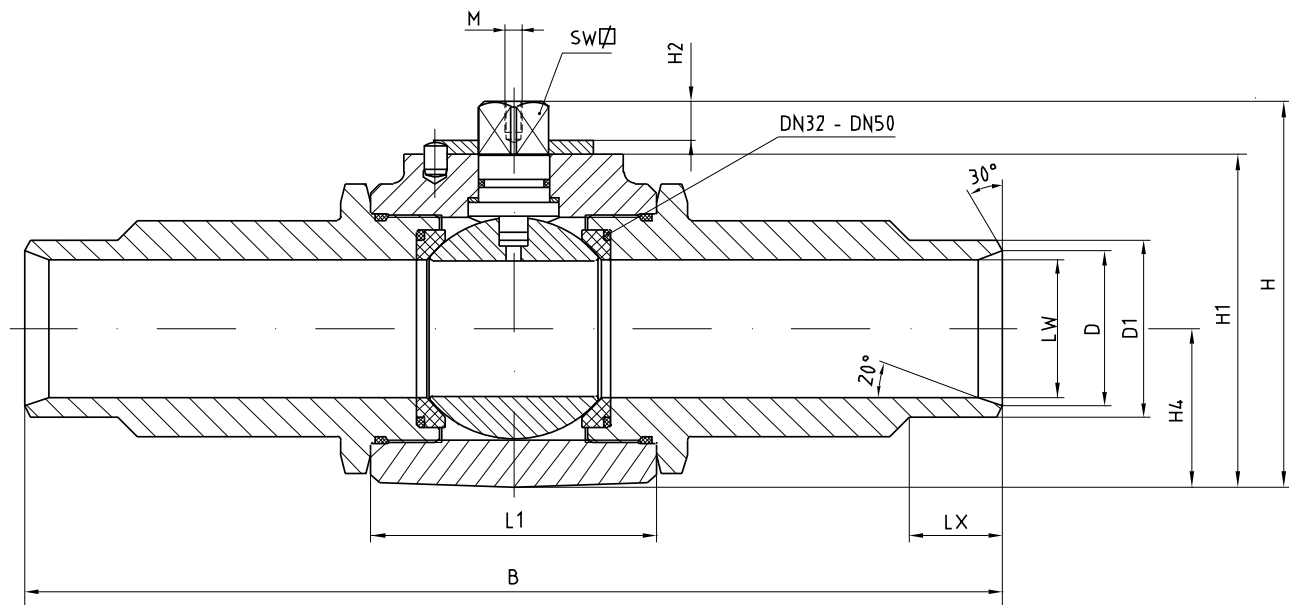


KUGELHÄHNE mit Anschweißenden ASKH/ARKH, Serie 810/820
BALL VALVES with welding ends ASKH/ARKH, Series 810/820



Anschweißende nach DIN 3239 Teil 1 Form 2.

Welding ends according to DIN 3239 part 1 form 2.

Gehäusemaße, gültig für alle Kombinationen. / Body dimensions valid for all combinations

DN mm	PN bar	L mm	L1 mm	LW mm	D mm	D1 mm	H mm	H1 mm	H2 mm	H4 mm	SW mm	M mm	LX
10	16-100				13	18							
	160				13	18							
	250	270	42	10	12	18	49,5	38	8	16,5	9	M5	>15
	320				12	18							
	400				10	18							
15	16-100				17	22							
	160				17	22							
	250	270	47	15	16	22	62	46	12	19	12	M6	>15
	320				15	22							
	400				17	28							
20	16-100	270	61	20	22	28	79	57	12	24,5	14	M6	>15
25	16-100				28,5	34							
	160				27	34							
	250	270	65	24	26,5	35	79	63	12	28	17	M6	>15
	320				24	35							
	400				29	44							
32*	16-100	270	80	32	32,5	38	104	84	13,5	38	17	M8	>15
40	16-100				38	43							
	160				38	41							
	250	270	85	38	38,5	49	112	92	13,5	42,5	17	M8	>15
	320				36	49							
	400				38	40							
50	16-100				48	61							
	160				48	52,5							
	250	300	100	44	45	61	161	111	13,5	50	19	M8	>15
	320				48	59,5							
	400				48	49,5							

Bestellnummern - Werkstoffkombinationen / Identification numbers - combination of material

Gehäuse/Body:	Stahl/Steel	Stahl/Steel	1.4571/AISI 316Ti
Kugel/Ball:	Stahl/Steel	1.4571/AISI 316Ti	1.4571/AISI 316Ti
Schaltwelle/Stem:	Stahl/Steel	1.4571/AISI 316Ti	1.4571/AISI 316Ti
Kugeldichtung/Ball sealing:	POM/PTFE	POM/PTFE	POM/PTFE
Schaltwellendichtung/Stem sealing:	NBR	NBR	Viton
DN	PN	Serie 810	Serie 810
mm	bar	series 810	series 810
10	16-40	ASKH DN10 PN40 3143 BW	ASKH DN10 PN40 3443 BW
	100	ASKH DN10 PN100 3143 BW	ASKH DN10 PN100 3443 BW
	160	ASKH DN10 PN160 3123 BW	ASKH DN10 PN160 3423 BW
	250	ASKH DN10 PN250 3123 BW	ASKH DN10 PN250 3423 BW
	320	ASKH DN10 PN320 3123 BW	ASKH DN10 PN320 3423 BW
	400	ASKH DN10 PN400 3123 BW	ASKH DN10 PN400 3423 BW
15	16-40	ASKH DN15 PN40 3143 BW	ASKH DN15 PN40 3443 BW
	100	ASKH DN15 PN100 3143 BW	ASKH DN15 PN100 3443 BW
	160	ASKH DN15 PN160 3123 BW	ASKH DN15 PN160 3423 BW
	250	ASKH DN15 PN250 3123 BW	ASKH DN15 PN250 3423 BW
	320	ASKH DN15 PN320 3123 BW	ASKH DN15 PN320 3423 BW
	400	ASKH DN15 PN400 3123 BW	ASKH DN15 PN400 3423 BW
20	16-40	ASKH DN20 PN40 3143 BW	ASKH DN20 PN40 3443 BW
	100	ASKH DN20 PN100 3143 BW	ASKH DN20 PN100 3443 BW
25	16-40	ASKH DN25 PN40 3143 BW	ASKH DN25 PN40 3443 BW
	100	ASKH DN25 PN100 3143 BW	ASKH DN25 PN100 3443 BW
	160	ASKH DN25 PN160 3123 BW	ASKH DN25 PN160 3423 BW
	250	ASKH DN25 PN250 3123 BW	ASKH DN25 PN250 3423 BW
	320	ASKH DN25 PN320 3123 BW	ASKH DN25 PN320 3423 BW
	400	ASKH DN25 PN400 3123 BW	ASKH DN25 PN400 3423 BW
32	16-40	ASKH DN32 PN40 3143 BW	ASKH DN32 PN 40 3443 BW
	100	ASKH DN32 PN100 3143 BW	ASKH DN32 PN 100 3443 BW
40	16-40	ASKH DN40 PN40 3143 BW	ASKH DN40 PN 40 3443 BW
	100	ASKH DN40 PN100 3123 BW	ASKH DN40 PN100 3423 BW
	160	ASKH DN40 PN160 3123 BW	ASKH DN40 PN160 3423 BW
	250	ASKH DN40 PN250 3123 BW	ASKH DN40 PN250 3423 BW
	320	ASKH DN40 PN320 3123 BW	ASKH DN40 PN320 3423 BW
	400	ASKH DN40 PN400 3123 BW	ASKH DN40 PN400 3423 BW
50	16-40	ASKH DN50 PN40 3143 BW	ASKH DN50 PN40 3443 BW
	100	ASKH DN50 PN100 3123 BW	ASKH DN50 PN100 3423 BW
	160	ASKH DN50 PN160 3123 BW	ASKH DN50 PN160 3423 BW
	250	ASKH DN50 PN250 3123 BW	ASKH DN50 PN250 3423 BW
	320	ASKH DN50 PN320 3123 BW	ASKH DN50 PN320 3423 BW
	400	ASKH DN50 PN400 3123 BW	ASKH DN50 PN400 3423 BW

Andere Werkstoffkombinationen auf Anfrage. / Other combinations on request.