

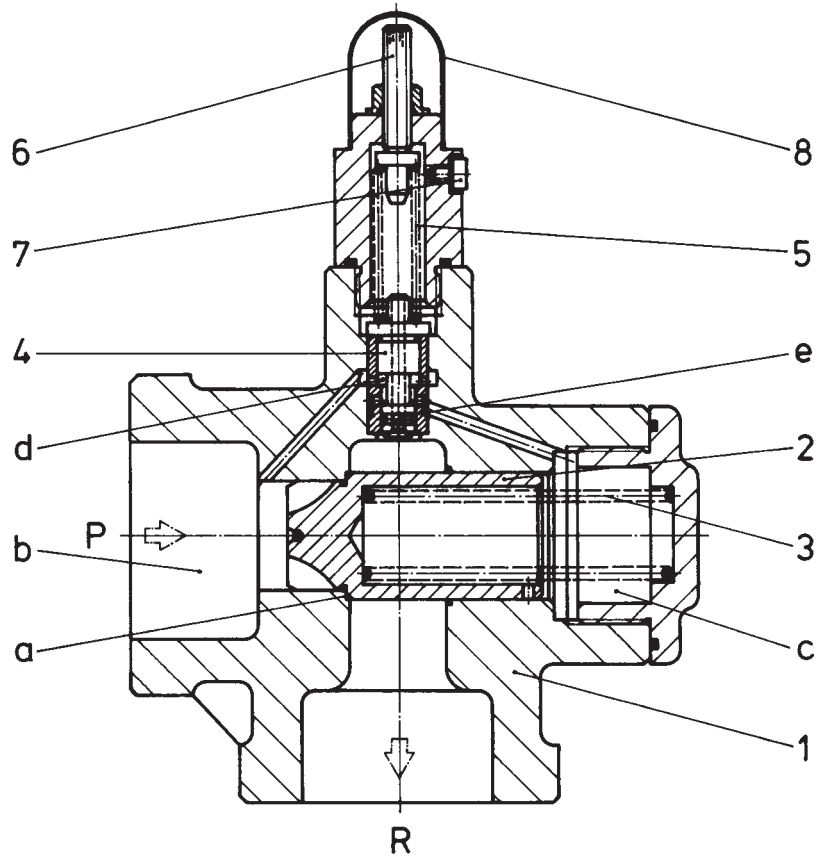
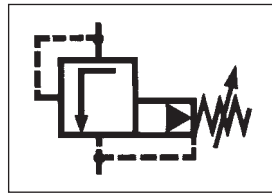
KRACHT



Pressure Relief Valves HV, HVF
pilot operated

Construction of the Pressure Relief Valves HV, HVF

Symbol



- | | |
|------------------------|----------------------|
| 1 Housing | 5 Compression Spring |
| 2 Main Sliding Piston | 6 Set Screw |
| 3 Compression Spring | 7 Bleeding Screw |
| 4 Pilot Sliding Piston | 8 Protective Cap |

Description

The pilot operated, sliding piston Pressure Relief Valve HV/HVF is intended for inline mounting and is suitable to safeguard mean pressure hydraulic circuits up to 160 bars. The pipe connection is to be effected either by SAE-Mounting Surfaces (3000 psi) or by Whitworth Pipe Threads "G". Due to the design principle of sliding piston piloting the valve is also suitable for higher viscosities.

Valve Construction:

Main Valve Stage

The Main Sliding Piston **2** is pressed against the Annulated Area **a** by the Compression Spring **3**. The Valve Chamber **b** located before the Main Sliding Piston **2** as well as the Valve Chamber **c** to be found behind the Main Sliding Piston **2** are directly connected with the pilot valve.

Pilot Valve

The Pilot Sliding Piston **4** is loaded by the Compression Spring **5** and is balanced by the operating pressure p acting on the Annulated Area **d**. As soon as the spring force is exceeded by the operating pressure p the connection behind the Main Sliding Piston **2** is blocked and the Valve Chamber **c** is then connected with the reservoir via the Bore **e** within the Pilot Sliding Piston **4**. In this way it is guaranteed that, as soon as the set pressure is reached, the Main Sliding Piston **2** releases the oil flow to the reservoir without any vibrations maintaining the operating pressure as adjusted by the Set Screw **6**. The Spring chamber of the pilot valve can be bled by the Bleeding Screw **7** provided the valve is installed in vertical fitting position i.e. with the pressure setting arrangement up.

Characteristics

Characteristics acc. to VDI 3267

Pressure Relief Valve

pilot operated

Nom. Size:	10	25	40	50	80
Max. Flow Capacity:	50	120	350	500	750 l/min
Nom. Operating Pressure:	160	160	160	80	80 bars

General Characteristics

Construction:	Sliding Piston Relief Valve
Mounting:	Inline
Pipe Connection:	SAE-Flange (3000 psi) Whitworth Pipe Thread "G"
Dimensions:	Pages 7, 9, 10 and 11
Weight:	Pages 7, 9, 10 and 11
Fitting Position:	Set Screw up

Perm. Ambient Temp.:	$\vartheta_{u \min} = -20 \text{ }^{\circ}\text{C}$
	$\vartheta_{u \max} = +60 \text{ }^{\circ}\text{C}$

Hydraulic Characteristics

Nominal Size:	10	25	40	50	80	
Press. Setting Ranges:	$p_{v \min}$	1	1	1	1	1 bar
	$p_{v \max}$	160	160	160	80	80 bars
Fluid Temp. Range:	$\vartheta_{m \min}$	$= -20 \text{ }^{\circ}\text{C}$				
	$\vartheta_{m \max}$	$= +80 \text{ }^{\circ}\text{C}$				
Viscosity Range:	v_{\min}	$= 13 \text{ mm}^2/\text{s}$				
	v_{\max}	$= 600 \text{ mm}^2/\text{s}$				
Δp -Q-Characteristics:	Page 5					
Hydraulic Fluids:	Hydraulic Oils acc. to DIN 51 524/25 other fluids on request					

Type of Pressure Setting

mechanical	Set Screw Knob
------------	-------------------

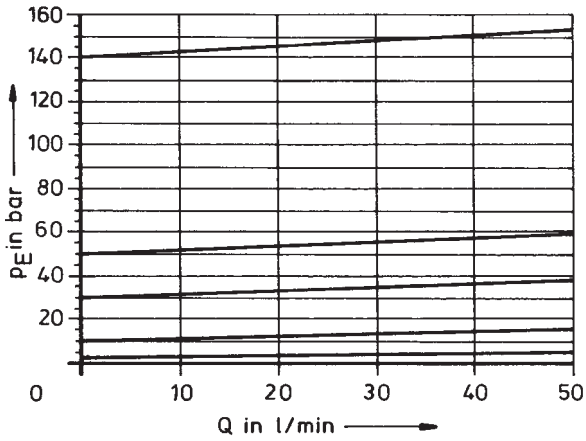
Accessories

Welding Flange SAE (3000 psi)	Page 11
----------------------------------	---------

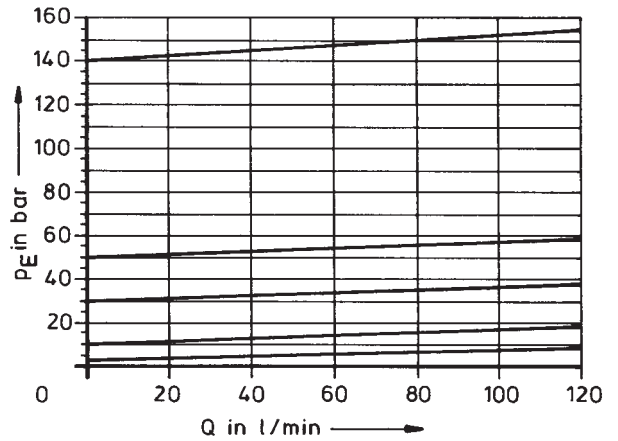
Characteristic Curves

$\Delta p = f(Q)$
 Viscosity = 34 mm²/s

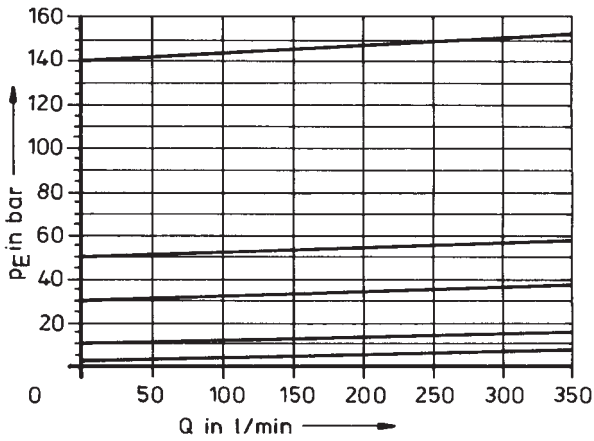
HV 10



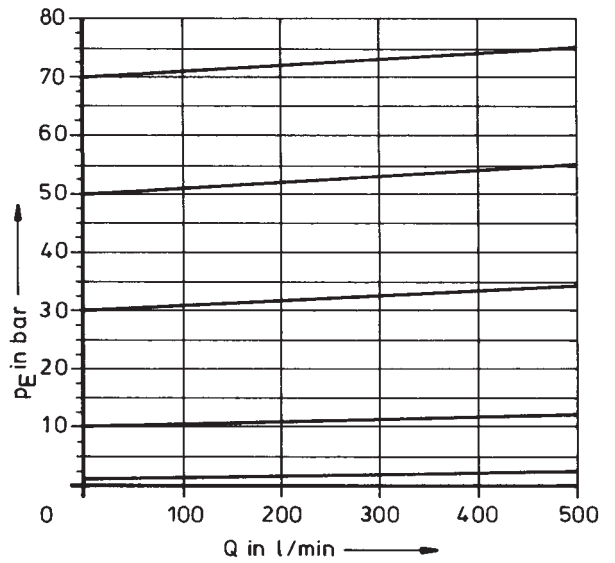
HVF 25



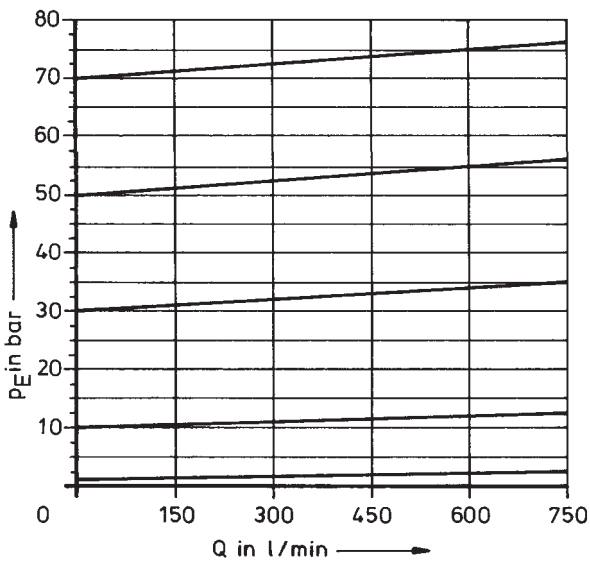
HVF 40



HVF 50



HVF 80

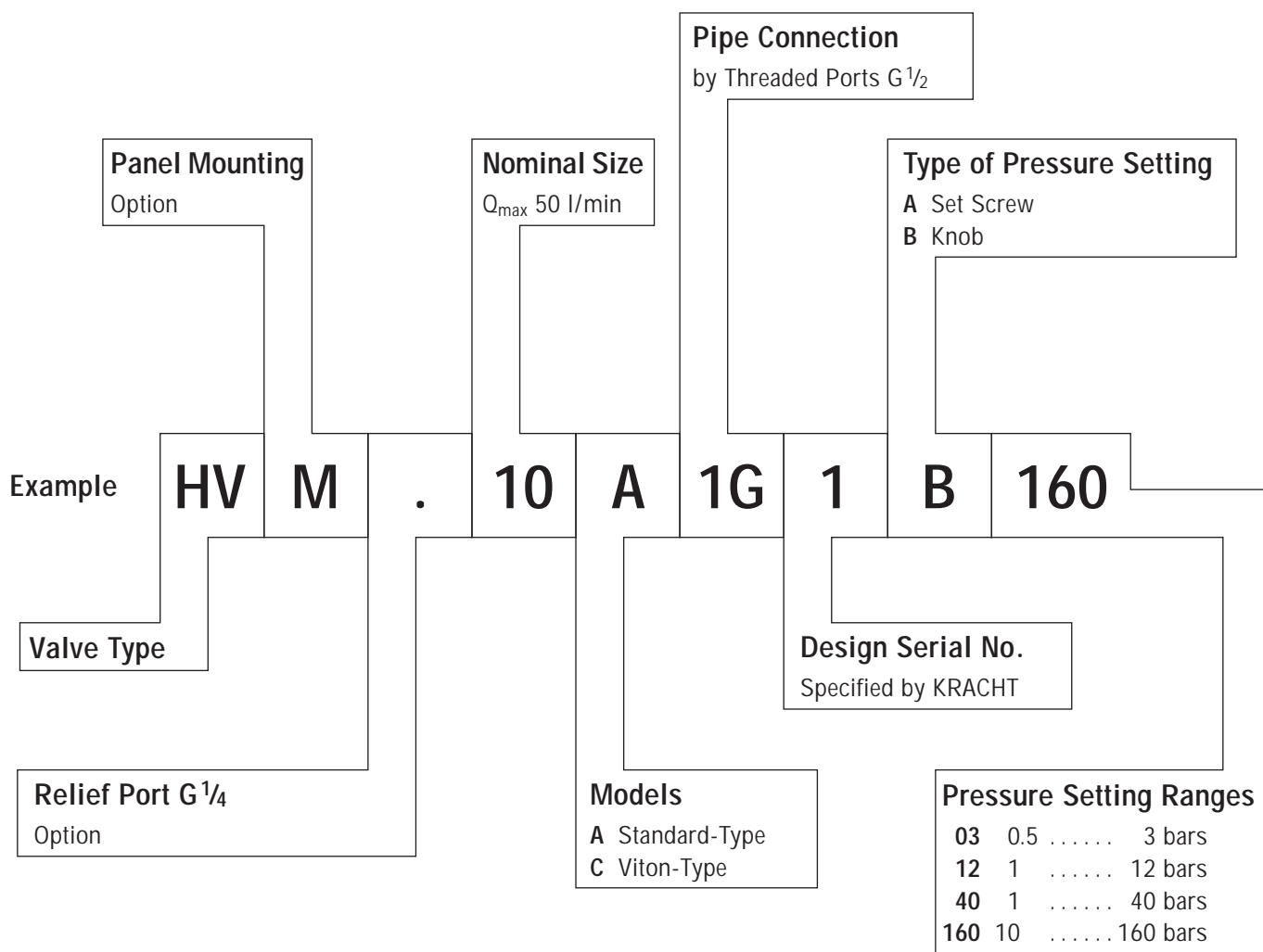


Type Key

Nominal Size 10

Pressure Relief Valve

pilot operated

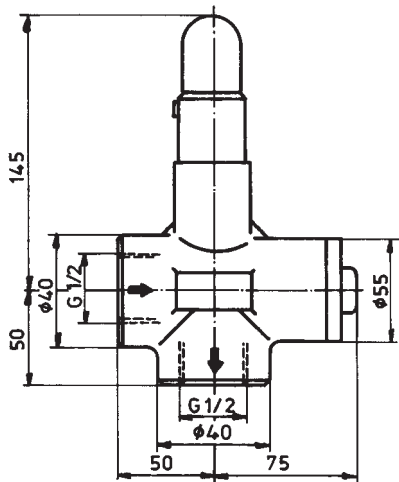


means:

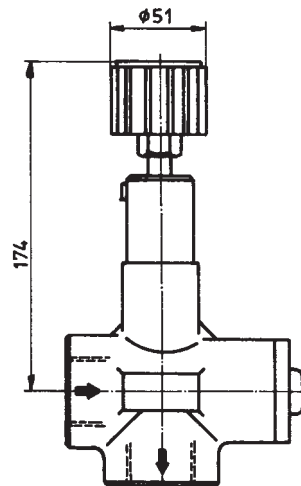
Pressure Relief Valve, Pilot Operated. For Panel Mounting, Nominal Size 10 (Q_{max} 50 l/min), Standard Type, with Threaded Ports G $\frac{1}{2}$, Pressure Setting by Knob, Pressure Setting Range: 10 up to 160 bars

Dimensions

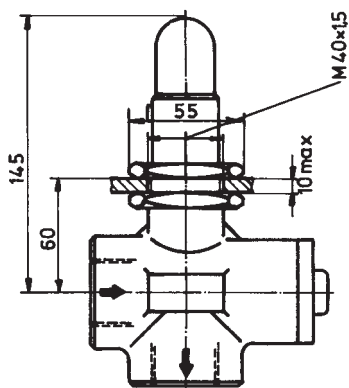
Ordering Code HV 10 A 1G 1 A .



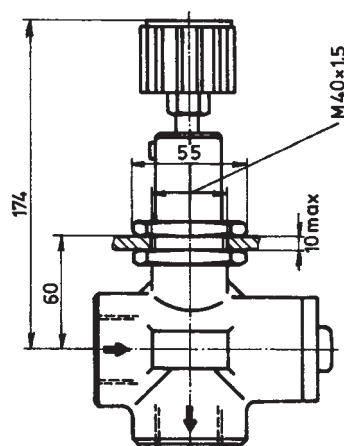
Ordering Code HV 10 A 1G 1 B .



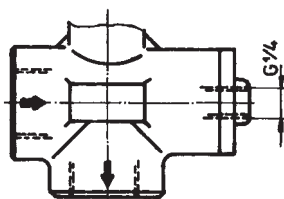
Ordering Code HVM 10 A 1G 1 A .



Ordering Code HVM 10 A 1G 1 B .



Ordering Code HVE 10 A 1G 1 . .
HVME 10 A 1G 1 . .



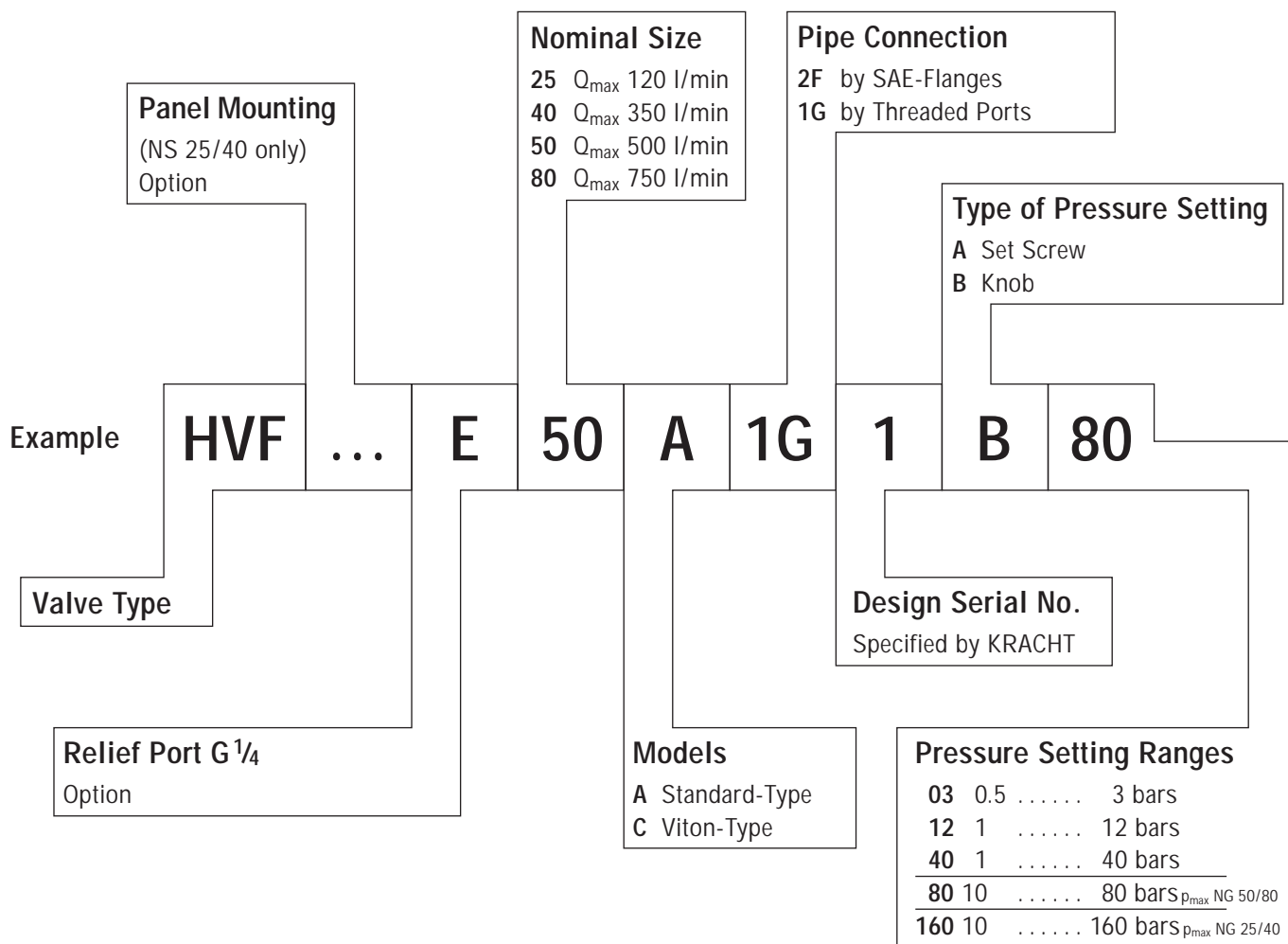
Weight 2.5 kg

Type Key

Nominal Size 25...80

Pressure Relief Valve

pilot operated, flange type



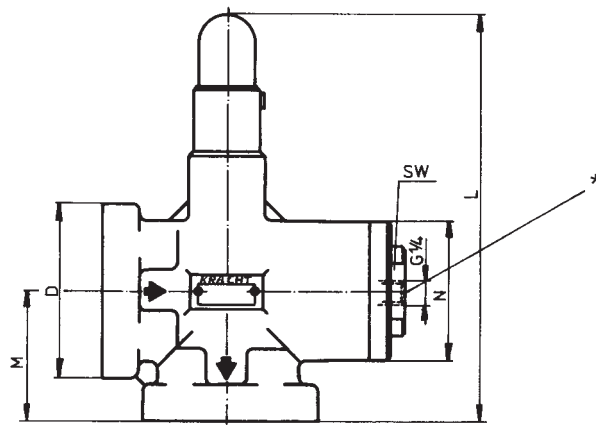
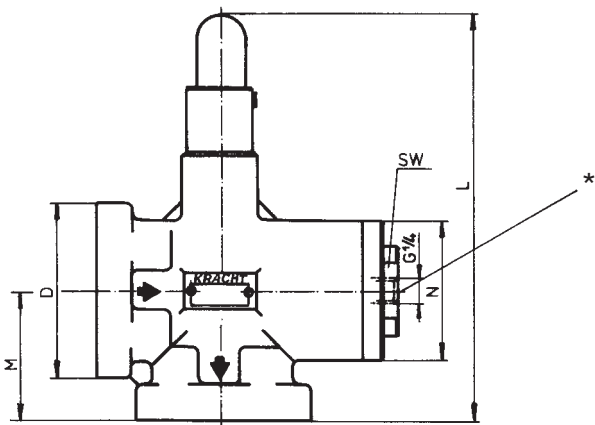
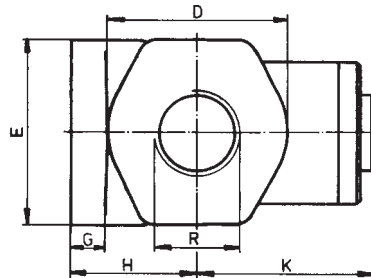
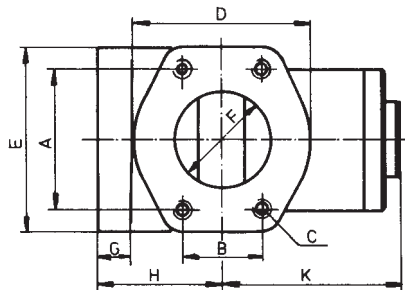
means:

Pressure Relief Valve, Pilot Operated. Flange Type with Relief Port G¹/₄. Nominal Size 50 (Q_{max} 500 l/min), Standard Type, with Threaded Ports, Pressure Setting by Knob, Pressure Setting Range: 10 up to 80 bars

Dimensions

Ordering Code HVF . . 2F 1 A .

Ordering Code HVF . . 1G 1 A .



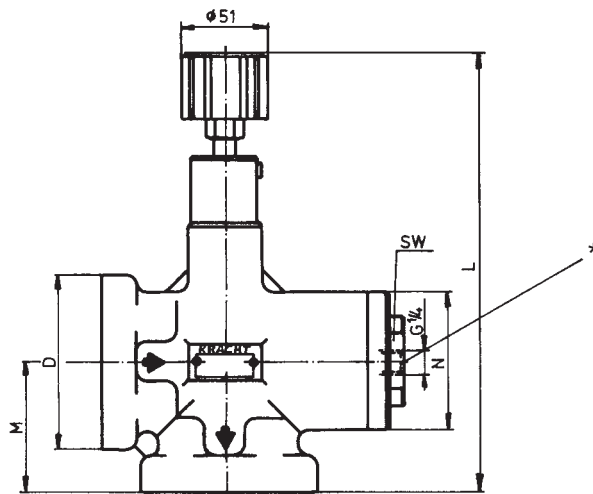
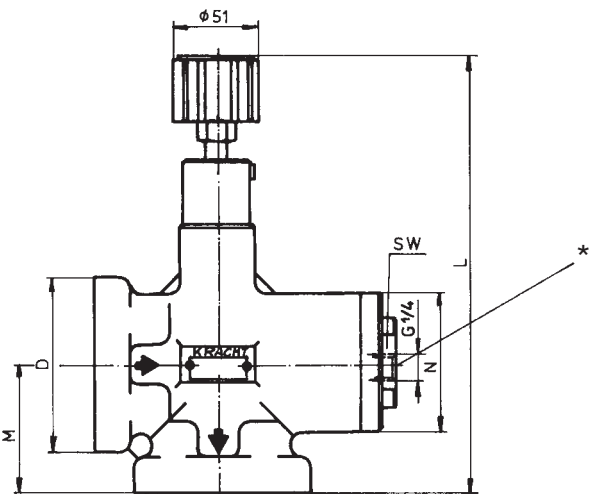
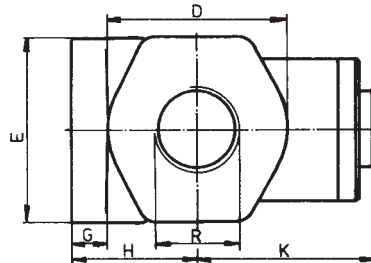
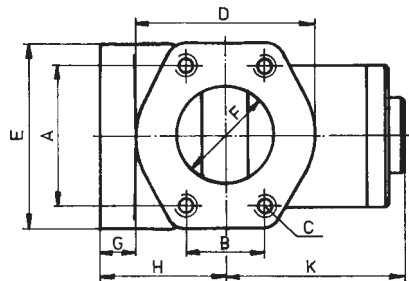
* Relief Port for Type HVFE

Nom. size	SAE Flange	Thread R													Wrench Size	Weight kg
			A	B	C	D	E	F	G	H	K	L	M	N		
25	1"	G 1	52.4	26.2	M 10	59	70	26	20	50	75	200	55	Ø 55	24	3.4
40	1 1/2"	G 1 1/2	69.9	35.7	M 12	83	94	39	20	65	95	220	65	Ø 75	36	6.7
50	2"	G 2	77.8	42.9	M 12	97	102	50	20	75	105	240	75	Ø 90	30	10.9
80	3"	G 3	106.4	61.9	M 16	131	135	78	25	110	125	280	110	Ø 105	40	18.1

Dimensions

Ordering Code HVF . . 2F 1 B .

Ordering Code HVF . . 1G 1 B .



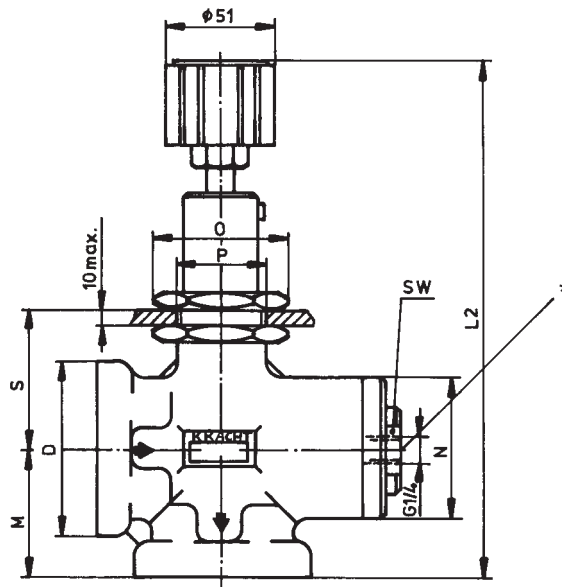
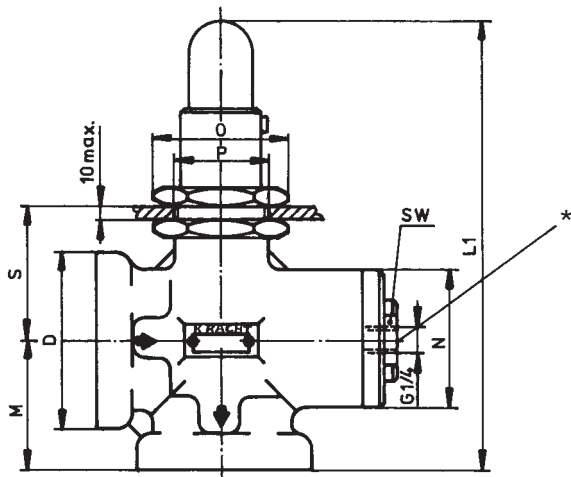
* Relief Port for Type HVFE

Nom. Size	SAE Flange	Thread R													Wrench Size	Weight kg
			A	B	C	D	E	F	G	H	K	L	M	N		
25	1"	G 1	52.4	26.2	M 10	59	70	26	20	50	75	229	55	Ø 55	24	3.4
40	1½"	G 1½	69.9	35.7	M 12	83	94	39	20	65	95	246	65	Ø 75	36	6.7
50	2"	G 2	77.8	42.9	M 12	97	102	50	20	75	105	266	75	Ø 90	30	10.9
80	3"	G 3	106.4	61.9	M 16	131	135	78	25	110	125	306	110	Ø 105	40	18.1

Dimensions

Ordering Code HVFM . . 2F 1 A .
HVFM . . 1G 1 A .

Ordering Code HVFM . . 2F 1 B .
HVFM . . 1G 1 B .



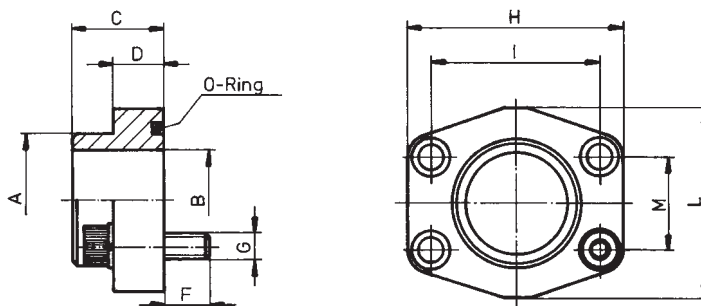
* Relief Port for Type HVFE

Nom. Size	SAE Flange	Thread R															Wrench Size	P	Weight kg	
			A	B	C	D	E	F	G	H	K	L ₁	L ₂	M	N	O				S
25	1"	G 1	52.4	26.2	M 10	59	70	26	20	50	75	200	229	55	∅ 55	55	60	24	M 40 x 1.5	3.4
40	1 1/2"	G 1 1/2	69.9	35.7	M 12	83	94	39	20	65	95	220	246	65	∅ 75	55	60	36	M 40 x 1.5	6.7

Drawing for Dimensions A, B, C, E, F, G, H, K see Page 10

Accessories / Ordering Code HVFM 40 A 2F 1 A 60 + 2 x CFS 106-ST

Welding Flange SAE (3000 psi)



Ordering Code	SAE Flange												O-Ring	Weight kg
		A	B	C	D	F	G	H	I	L	M			
CFS 102-ST	1"	34.5	25	38	18	14	M 10	71	52.4	53	26.2	4131	0.6	
CFS 106-ST	1 1/2"	48.6	38	44	25	18	M 12	94	70	77	35.7	4187	1.2	
CFS 108-ST	2"	61	50	45	25	18	M 12	103	77.8	89	42.9	4225	1.5	
CFS 112-ST	3"	89	73	50	27	23	M 16	135	106.4	124	62	4337	2.7	

Overview of our complete program

Transfer pumps

Transfer pumps for lubricating oil supply equipment, low pressure filling and feed systems, dosing and mixing systems.

Volutronic®

Gear flow meters and electronics for volume and flow metering technology in hydraulics, processing and laquering technology.

Mobile hydraulics

Single and multistage high pressure gear pumps, hydraulic motors and valves for construction machinery, lorry-mounted machines.

Industrial hydraulics

Cetop directional control and proportional valves, hydraulic cylinders, pressure, quantity and stop valves for pipe and slab construction, hydraulic accessories for industrial hydraulics (mobile and stationary use).

With our decades of experience, we are at your side, world-wide, for the professional mastery of specific applications and complete solutions in hydraulics and process technology.



HV/HVF.e.8.99